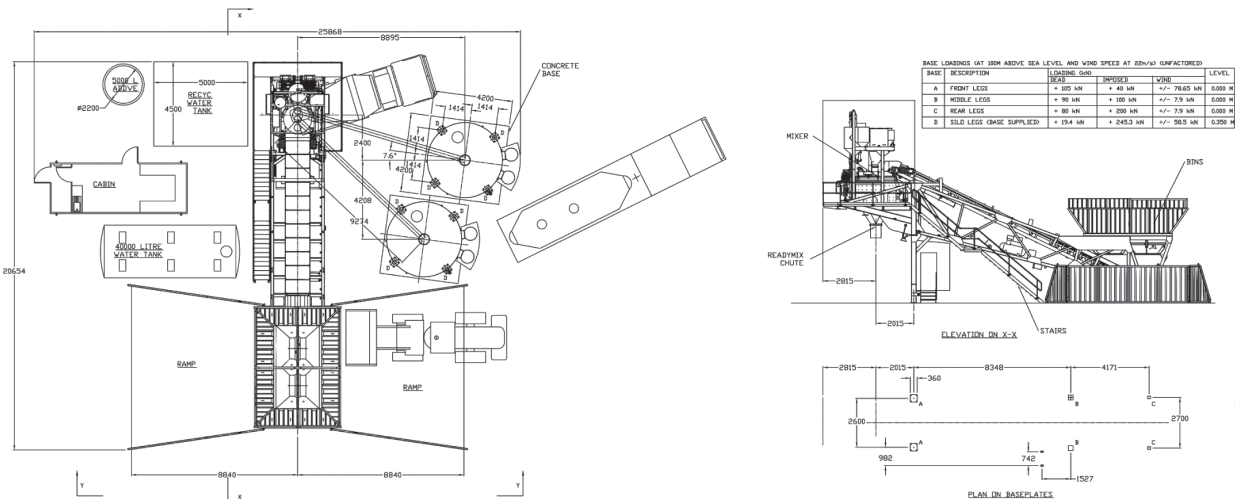


ULTRA MOBILE RAPID TOTAL BATCHING SOLUTIONS TBS 100M



Key Information

- Aggregate Storage 4 No. compartments, total capacity 40m³
- Aggregate weighing capacity 4.50m³ or 6000 Kgs
- Mixer BHS DKX 3.0 twin shaft mixer (up to 100m³ per hour)
- Cement weighing capacity 1650 Kgs
- Water weigher 900ltrs
- Control system Alkon command batch for easy operation

